



## **45Kg Animal Immune / Dual Technology**

*Get reliable outdoor detection and freedom from false alarms with ALEPH's XC-1XTe 45Kg Animal Immune Outdoor Detector loaded with unique innovations. Superior white-light and RFI immunity, SMD circuitry, and unique copperplated circuit board provide outstanding performance and sensitivity.*

*The XC-1XTe incorporates a fully tested dual pyroelectric element, jumper selectable 2/4 pulse count, and a walk-test LED. The hard cover XC-1XTe Outdoor Detector is completely sealed against insects, and is unaffected by drafts. Wall mounting is fast and easy. Walk test LED verifies detection coverage and system readiness while visible from every angle.*

Aleph Europe Ltd.  
1 Newton Close, Park Farm,  
Wellingborough, Northants  
NN8 6UW, England  
Phone: +44 1933 679600  
Fax: +44 1933 401165  
E-mail: info@alepheurope.com

Aleph Central Europe Inc.  
Hungary 2146 Mogyoród Pf.:16, Kerektó u. 2.  
Tel. +36 28 542 250, Fax: +36 28 542 251  
E-mail: sales@alephsecurity.com

# **XC-1XTe**



### **FEATURES**

- **45Kg Animal Immune**
- **Dual Technology**
- **Outdoor PIR / Microwave**
- **2 Form C Relays**
- **UV / Waterproof**
- **PIR sensitivity**
- **Pulse Count selectable**
- **Selectable Dual Mode / Disable LED**
- **Selectable Enable / Disable LED**
- **12m x 17m detection distance**
- **Pattern Recognition**
- **Optional Long Range Lens (24m x 2,4m)**



# 45Kg Animal Immune / Dual Technology

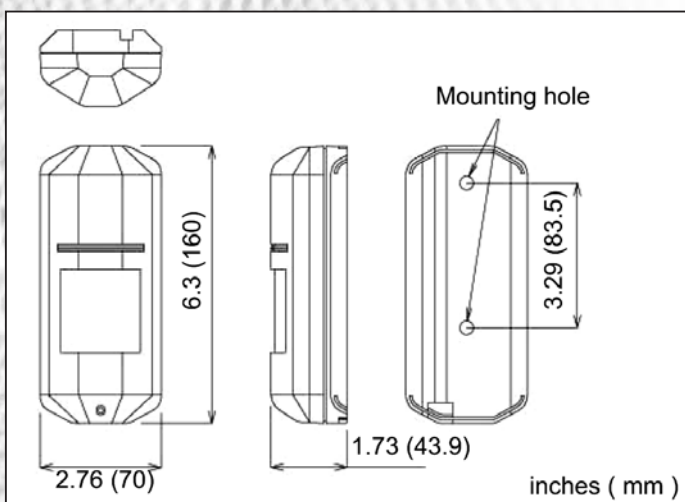
# XC-1XTe

## Specifications

<b>Power Requirement</b>	9.5 to 16VDC (Normal 12VDC)
<b>Current Draw</b>	35mA max.
<b>PIR Detector</b>	Dual-Element
<b>PIR Detection Range</b>	Standard - 12 m x 17 m
<b>Long range lens</b>	24 m x 2,4 m (optional)
<b>PIR Sensitivity</b>	Selectable
<b>Adjustment PIR Pulse Count</b>	(60 or 80 or 100 or 200) Selectable (2 or 4 pulses)
<b>MW Detector</b>	MIC Module (10.525GHz)
<b>MW Range Adjustment</b>	Volume Adjustment
<b>MW Detection Range</b>	20ft to 66ft (6m to 20m)
<b>MW Pulse Count</b>	2 Pulses
<b>Warm-up period</b>	50 ± 15sec

<b>Alarm Period</b>	2 ± 0.4 sec
<b>Alarm Display</b>	Red LED monitor (ON/OFF selectable)
<b>PIR Detection Display</b>	Green LED ON
<b>MW Detection Display</b>	Orange LED ON
<b>Relay Output</b>	2C Contact (N.C/N.O) 30VDC 0.35A max.
<b>Tamper Contact</b>	N.C. dry contact 30VDC 0.5A max
<b>Operating Temperature</b>	-15°F to +122°F (-26°C to +50°C)
<b>Environment Humidity</b>	95% max.
<b>Dimension (H~W~D)</b>	6.3in.~2.76in.~1.73in. (160mm~70mm~43.9mm)
<b>Weight</b>	6.3oz (180g)

## DIMENSIONS



## DETECTION PATTERN

