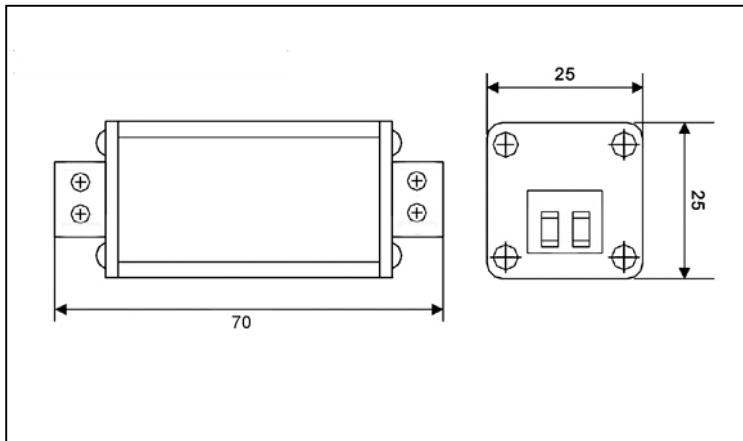


Terminal Block Connection

Type: D-12/C-2 2 wires
 D-24/C-2 2 wires
 D-48/C-2 2 wires

Surge arrester for double-wire systems against surges at the boundaries from lightning protection zone 0>3.



Technical Data

Model No.		D-12/C-2	D-24/C-2	D-48/C-2
Nominal Voltage (V)	Un	12	24	48
Nominal Discharge Current (8/20us,KA)	In	5		
Max. Discharge Current (8/20us,KA)	Imax	8		
Clamping Voltage (10/700us,V)	Core-Ground	≤30	≤40	≤70
Transmission speed (bps)	Vs	2Mbps		
Insertion loss	dB	≤0.5		
Protected line		1 twisted-pair		
Type of Connection	IN	3.81 Terminal Block		
	OUT	3.81 Terminal Block		
Dimensions	mm	70 X 25 X 25		
Environment Temperature	°C	- 25~+70		

- Data network protector in according with IEC61643:21-2000.
- Standard design for double-wire systems
- Limit the transients with gas discharge tubes and tranzorb diodes.
- In aluminium housing.
- Terminal block connector for use in measuring, control and regulation systems.
- Simple installation.
- Two-stage protection circuit.
- 2 Mbps transmission rate.

