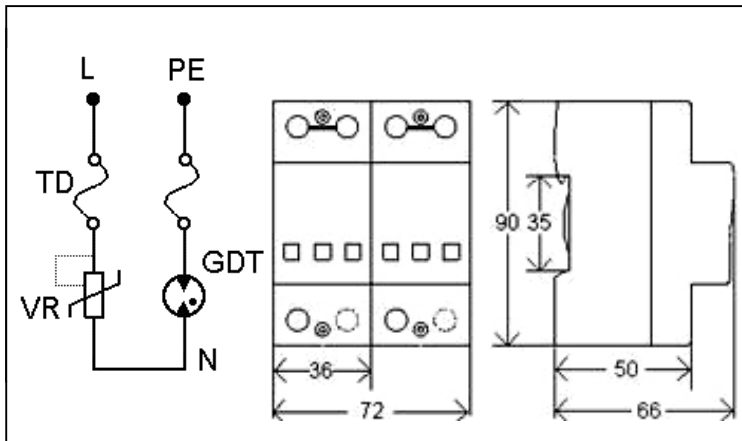


**TYPE: EPT-DS80/100/120 V+T**
**Single Phase (1 MOV & 1GDT Modules)  
Surge Protection Devices**

Surge arrester for low-voltage power supply system protection against surges at the boundaries from lightning protection zone 0<sub>B</sub>-1 and higher.



- Class II (C) arrester in according with IEC61643-1:2001.
- Two part design consisting of base and non-pluggable protection module.
- High energy MOV (Metal Oxide Varistor) and GDT (Gas Discharge Tube) inside.
- Reliable supervision due to disconnection device.
- Fault indication by red indication flag in window.
- Fast response.
- With remote alarm terminal optional.

**Technical Data**

Type		EPT- DS80/xxx-(V+T)-S									
		150	175	275	300	320	385	440	550	600	
In accordance with		IEC61643-1:2001; EN61643-1 2002; UL1449 ed.2									
Category IEC/VDE		II/ C									
Max. continuous operating voltage (AC/DC)	L - N (AC/DC)	150 /200	175 /225	275 /300	300 /385	320 /420	385 /505	440 /585	550 /745	600 /800	
	N - PE U <sub>c</sub>	150	150	255	255	255	255	350	440	440	
Nominal discharge current(8/20) I <sub>n</sub>	L-N	40KA	40KA	40KA	40KA	40KA	40KA	40KA	40KA	40KA	
	N-PE	80KA	80KA	80KA	80KA	80KA	80KA	80KA	80KA	80KA	
Max. discharge current(8/20) I <sub>max</sub>	L-N	80/100/120KA									
	N - PE	100KA									
Voltage protection level	L-N@I <sub>n</sub>	0.8KV	0.8KV	1.3KV	1.4KV	1.5KV	1.8KV	2.1KV	2.8KV	3.0KV	
	L-N@3KA	0.5KV	0.6KV	1.0KV	1.0KV	1.1KV	1.3KV	1.5KV	2.0KV	2.1KV	
	N-PE (1.2/50)	0.8KV	0.8KV	1.0KV	1.0KV	1.0KV	1.0KV	1.2KV	1.6KV	1.6KV	
Response time	L-N	≤25 ns									
	N-PE	≤100 ns									
Follow current	L-N	No									
	N-PE	Yes									
Residual current at U <sub>c</sub>	L-N	≤500 μ A									
	N-PE	No									
Backup fuse(only required if not already provided in mains)		200A gL/gG									
Operating temperature range		- 40° C ... + 80° C									
Cross-section of connection wire		Single-strand 35mm <sup>2</sup> ; multi-strand 25mm <sup>2</sup>									
Mounting		35mm DIN-rail in accordance with EN 50022/DIN46277-3									
Enclosure material		thermoplastic; extinguishing degree UL94 V-0									
Degree of protection		IP20									
Installation width		4 modules, DIN 43880									
Thermal disconnect		Internal green – normal red - failure									
Remote alarm contact		Optional									

