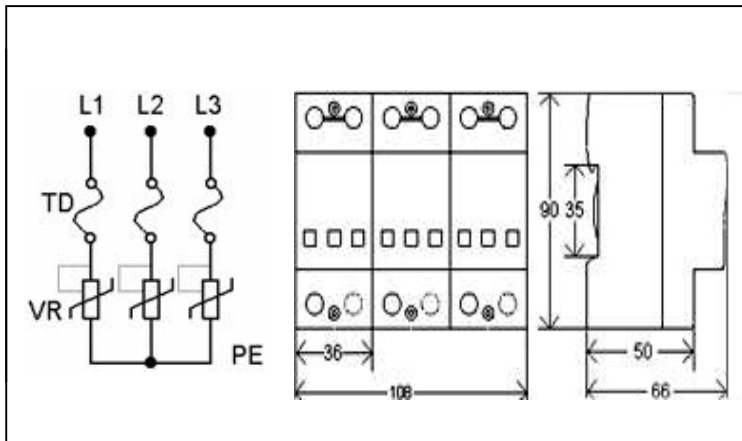


TYPE: EPT-DT80/100/120 3V
**Three Phase (3 MOV Modules)
Surge Protection Devices**

Surge arrester for low-voltage power supply system protection against surges at the boundaries from lightning protection zone 0_B-1 and higher.



- Class II (C) arrester in according with IEC61643-1:2001.
- Two part design consisting of base and non-pluggable protection module.
- High energy MOV (Metal Oxide Varistor) inside.
- Reliable supervision due to disconnection device.
- Fault indication by red indication flag in window.
- Fast response.
- With remote alarm terminal optional.


Technical Data

| Type | EPT DT80/xxx-3V-S | | | | | | | | |
|---|--|----------|----------|----------|----------|----------|----------|----------|----------|
| | 150 | 175 | 275 | 300 | 320 | 385 | 440 | 550 | 600 |
| In accordance with | IEC61643-1:2001; EN61643-1 2002; UL1449 ed.2 | | | | | | | | |
| Category IEC/VDE | II / C | | | | | | | | |
| Max. continuous operating voltage (AC/DC) | 150 /200 | 175 /225 | 275 /300 | 300 /385 | 320 /420 | 385 /505 | 440 /585 | 550 /745 | 600 /800 |
| Nominal discharge current (8/20) In (L-PE) | 40KA | 40KA | 40KA | 40KA | 40KA | 40KA | 40KA | 40KA | 40KA |
| Max. discharge current(8/20) I _{max} | 80/100/120KA | | | | | | | | |
| Voltage protection level at In | 0.8KV | 0.8KV | 1.3KV | 1.4KV | 1.5KV | 1.8KV | 2.1KV | 2.8KV | 3.0KV |
| Let through voltage @3KA 8/20 | 0.5KV | 0.6KV | 1.0KV | 1.0KV | 1.1KV | 1.3KV | 1.5KV | 2.0KV | 2.1KV |
| Response time | ≤25 ns | | | | | | | | |
| Follow current | No | | | | | | | | |
| Residual current at U _c | ≤500 μ A | | | | | | | | |
| Backup fuse(only required if not already provided in mains) | 200A gL/gG | | | | | | | | |
| Operating temperature range | - 40° C ... + 80° C | | | | | | | | |
| Cross-section of connection wire | Single-strand 35mm ² ; multi-strand 25mm ² | | | | | | | | |
| Mounting | 35mm DIN-rail in accordance with EN 50022/DIN46277-3 | | | | | | | | |
| Enclosure material | thermoplastic; extinguishing degree UL94 V-0 | | | | | | | | |
| Degree of protection | IP20 | | | | | | | | |
| Installation width | 6 module, DIN 43880 | | | | | | | | |
| Thermal disconnect | Internal green – normal red - failure | | | | | | | | |
| Remote alarm contact | Optional | | | | | | | | |
| Additional data for Remote Alarm Contacts | | | | | | | | | |
| Remote alarm contact type | floating changeover contact | | | | | | | | |
| Switching capability U _N /I _N | AC: 250V/0.5A DC: 250V/0.1A; 125V/0.2A; 75V/0.5A | | | | | | | | |
| Cross-section of connection wire | Max. 1.5mm ² | | | | | | | | |