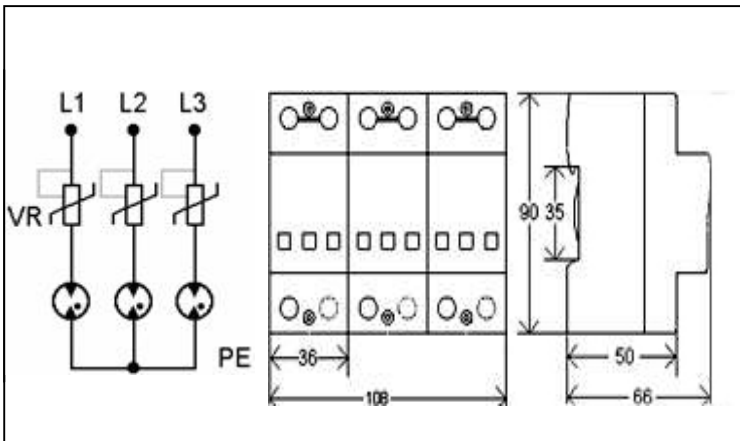


**TYPE: EPT-DT80/100/120 3VT**
**Three Phase (3 MOV/GDT In Series Modules)  
Surge Protection Devices**

Surge arrester for low-voltage power supply system protection against surges at the boundaries from lightning protection zone 0<sub>B</sub>-1 and higher.



- Class II (C) arrester in according with IEC61643-1:2001.
- Two part design consisting of base and non-pluggable protection module.
- High energy MOV (Metal Oxide Varistor) and GDT (Gas Discharge Tube) hybrid unit inside.
- Reliable supervision due to disconnection device.
- Fault indication by red indication flag in window.
- Fast response.
- With remote alarm terminal optional.


**Technical Data**

Type	EPT DT80/xxx-3VT-S								
	150	175	275	300	320	385	440	550	600
In accordance with	IEC61643-1:2001; EN61643-1 2002; UL1449 ed.2								
Category IEC/VDE	II/C								
Max. continuous operating voltage (AC/DC)	150 /200	175 /225	275 /300	300 /385	320 /420	385 /505	440 /585	550 /745	600 /800
Nominal discharge current (8/20) In (L-PE)	40KA	40KA	40KA	40KA	40KA	40KA	40KA	40KA	40KA
Max. discharge current(8/20) Imax	80/100/120KA								
Voltage protection level at In	0.6KV	0.6KV	1.2KV	1.2KV	1.2KV	1.2KV	1.8KV	2.4KV	2.4KV
Let through voltage @3KA 8/20	0.5KV	0.5KV	0.8KV	0.8KV	0.8KV	0.8KV	1.2KV	1.6KV	1.6KV
Response time	≤ 100 ns								
Follow current	No								
Residual current at Uc	No								
Backup fuse(only required if not already provided in mains)	200A gL/gG								
Operating temperature range	- 40° C ... + 80° C								
Cross-section of connection wire	Single-strand 35mm <sup>2</sup> ; multi-strand 25mm <sup>2</sup>								
Mounting	35mm DIN-rail in accordance with EN 50022/DIN46277-3								
Enclosure material	thermoplastic; extinguishing degree UL94 V-0								
Degree of protection	IP20								
Installation width	6 module, DIN 43880								
Thermal disconnecter	Internal green – normal red - failure								
Remote alarm contact	Optional								
<b>Additional data for Remote Alarm Contacts</b>									
Remote alarm contact type	floating changeover contact								
Switching capability U <sub>N</sub> /I <sub>N</sub>	AC: 250V/0.5A DC: 250V/0.1A; 125V/0.2A; 75V/0.5A								
Cross-section of connection wire	Max. 1.5mm <sup>2</sup>								