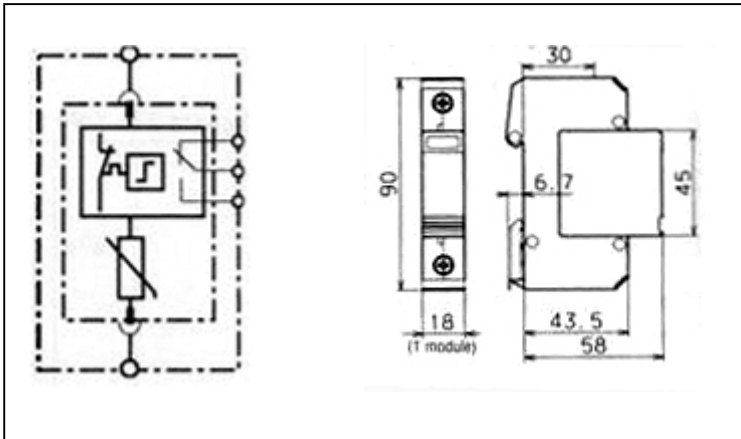


TYPE: EPT-V25/30/40/60
**MOV Module
Surge Protection Devices**

Surge arrester for low-voltage power supply system protection against surges at the boundaries from lightning protection zone 0_B-1 and higher.



- Class II (C) arrester in according with IEC61643-1:2001.
- Two part design consisting of base and plug-in protection module.
- High energy MOV (Metal Oxide Varistor) inside.
- Reliable supervision due to disconnection device.
- Fault indication by red indication flag in window.
- Fast response.
- With remote alarm terminal optional.

Technical Data

Type	EPT V25/30/40/60									
	75	150	175	275	300	320	385	440	550	600
In accordance with	IEC61643-1:2001; EN61643-1 2002; UL1449 ed.2									
Category IEC/VDE	II/ C									
Max. continuous operating voltage (AC/DC)	75 /100	150 /200	175 /225	275 /300	300 /385	320 /420	385 /505	440 /585	550 /745	600 /800
Nominal discharge current (8/20) In	10KA	10KA	10KA	10KA	10KA	10KA	10KA	10KA	10KA	10KA
Max. discharge current(8/20) I _{max}	25/30/40/60KA									
Voltage protection level at In	0.4KV	0.8KV	0.8KV	1.2KV	1.3KV	1.4KV	1.8KV	2.0KV	2.5KV	2.6KV
Let through voltage @3KA 8/20	.25KV	0.5KV	0.6KV	0.9KV	1.0KV	1.1KV	1.3KV	1.5KV	2.0KV	2.1KV
Response time	≤25 ns									
Follow current	No									
Residual current at U _c	≤500 μ A									
Backup fuse(only required if not already provided in mains)	100A gL/gG									
Operating temperature range	- 40° C ... + 80° C									
Cross-section of connection wire	Single-strand 35mm ² ; multi-strand 25mm ²									
Mounting	35mm DIN-rail in accordance with EN 50022/DIN46277-3									
Enclosure material	thermoplastic; extinguishing degree UL94 V-0									
Degree of protection	IP20									
Installation width	1 module, DIN 43880									
Thermal disconnecter	Internal green – normal red - failure									
Remote alarm contact	Optional									
Additional data for Remote Alarm Contacts										
Remote alarm contact type	floating changeover contact									
Switching capability U _N /I _N	AC: 250V/0.5A					DC: 250V/0.1A; 125V/0.2A; 75V/0.5A				
Cross-section of connection wire	Max. 1.5mm ²									

