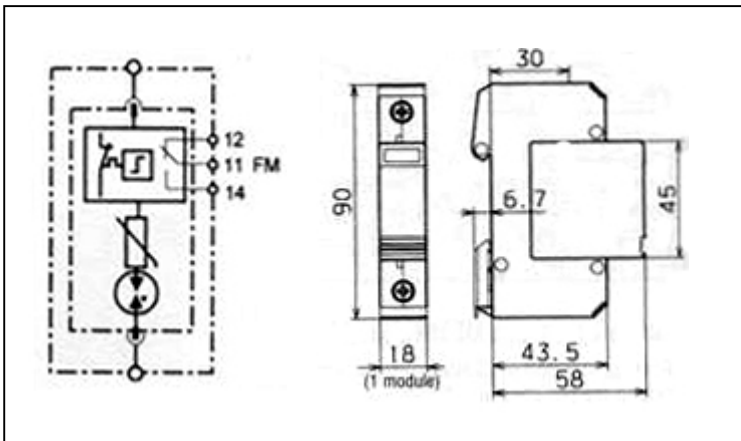


**TYPE: EPT-VT25/30/40/60**
**MOV&GDT In Series Module  
Surge Protection Devices**

Surge arrester for low-voltage power supply system protection against surges at the boundaries from lightning protection zone 0<sub>B</sub>-1 and higher.



- Class II (C) arrester in according with IEC61643-1:2001.
- Two part design consisting of base and plug-in protection module
- High energy MOV (Metal Oxide Varistor) & GDT (Gas Discharge Tube) in series inside.
- Reliable supervision due to disconnection device
- Fault indication by red indication flag in window
- No leakage current and No follow current
- With remote alarm terminal optional


**Technical Data**

Type	EPT VT25/xxx									
	75	150	175	275	300	320	385	440	550	600
In accordance with	IEC61643-1:2001									
Category IEC/VDE	II/ C									
Max. continuous operating voltage (AC/DC)	75 /100	150 /200	175 /225	275 /300	300 /385	320 /420	385 /505	440 /585	550 /745	600 /800
Nominal discharge current (8/20) In	10KA	10KA	10KA	10KA	10KA	10KA	10KA	10KA	10KA	10KA
Max. discharge current(8/20) I <sub>max</sub>	25/30/40/60KA									
Voltage protection level at In	0.3KV	0.6KV	0.6KV	1.0KV	1.0KV	1.0KV	1.0KV	1.4KV	2.0KV	2.0KV
Let through voltage @3KA 8/20	0.2KV	0.5KV	0.5KV	0.8KV	0.8KV	0.8KV	0.8KV	1.2KV	1.6KV	1.6KV
Response time	≤ 100 ns									
Follow current	No									
Residual current at U <sub>c</sub>	No									
Backup fuse(only required if not already provided in mains)	100A gL/gG									
Operating temperature range	- 40° C ... + 80° C									
Cross-section of connection wire	Single-strand 35mm <sup>2</sup> ; multi-strand 25mm <sup>2</sup>									
Mounting	35mm DIN-rail in accordance with EN 50022/DIN46277-3									
Enclosure material	thermoplastic; extinguishing degree UL94 V-0									
Degree of protection	IP20									
Installation width	1 module, DIN 43880									
Thermal disconnecter	Internal green – normal red - failure									
Remote alarm contact	Optional									
<b>Additional data for Remote Alarm Contacts</b>										
Remote alarm contact type	floating changeover contact									
Switching capability U <sub>N</sub> /I <sub>N</sub>	AC: 250V/0.5A					DC: 250V/0.1A; 125V/0.2A; 75V/0.5A				
Cross-section of connection wire	Max. 1.5mm <sup>2</sup>									